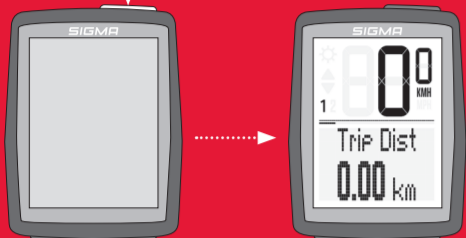




VIDEOS & FURTHER INFORMATION  
www.sigmasport.com

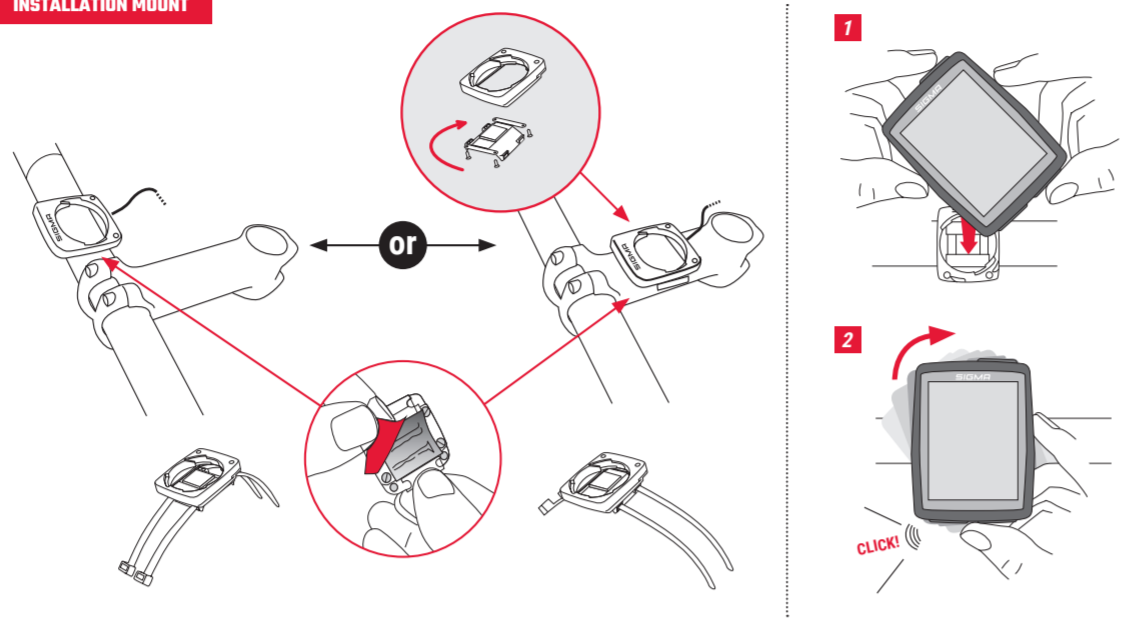
**FIRST START**

Press 5 sec.



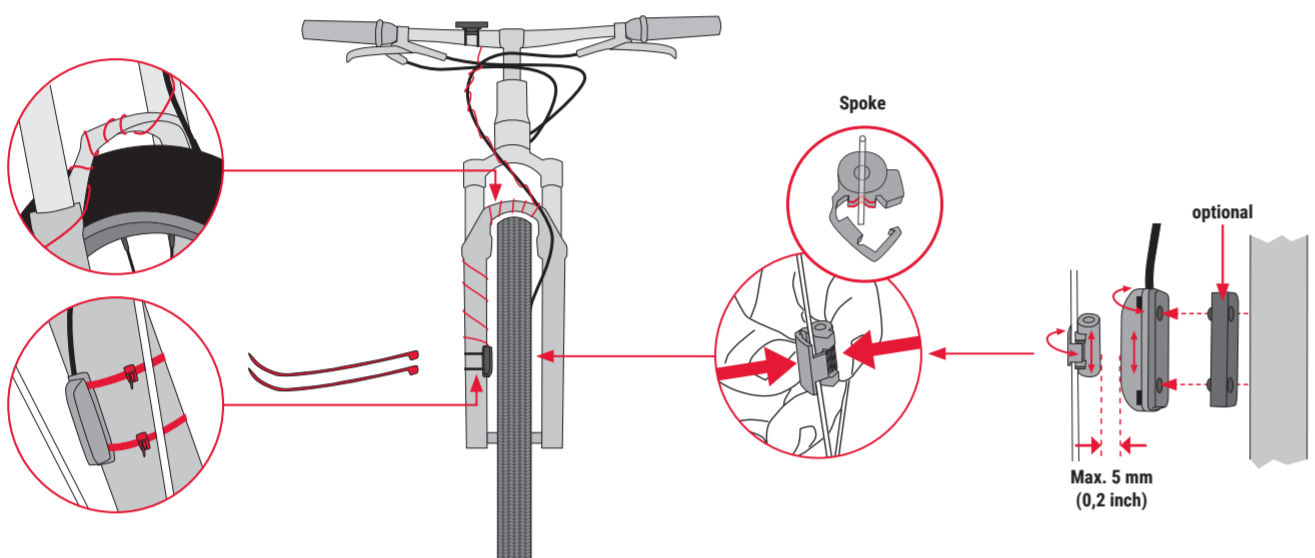
Battery already installed / Batteriet er installeret på forhånd / Paristo valmiiksi asennettu / Batteri allerede installerat / Batteri redan installerat / Источник питания уже установлен / Már behelyezett elemmel / Pili zaten takılı / Bateria déjà instalată / Батерията вече е поставена / Bateria je nainštalovaná / Baterija je že nameščena

**INSTALLATION MOUNT**



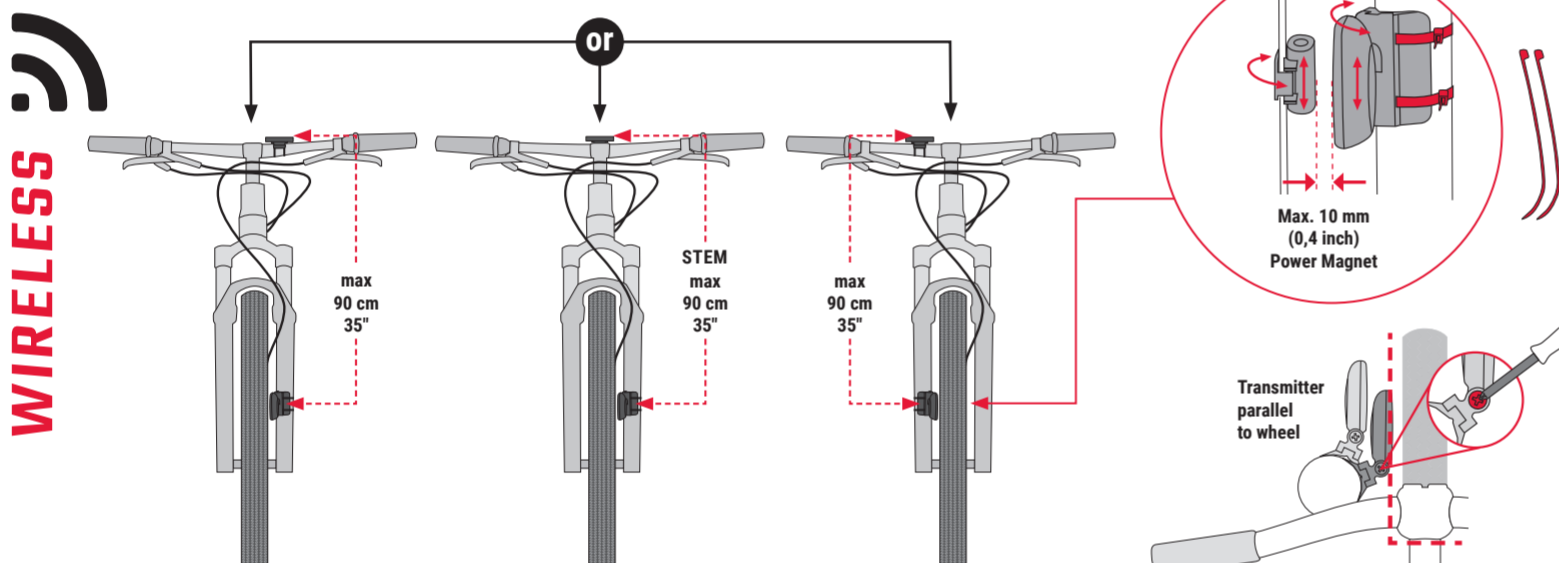
**INSTALLATION WIRED SPEED SENSOR**

**WIRED**



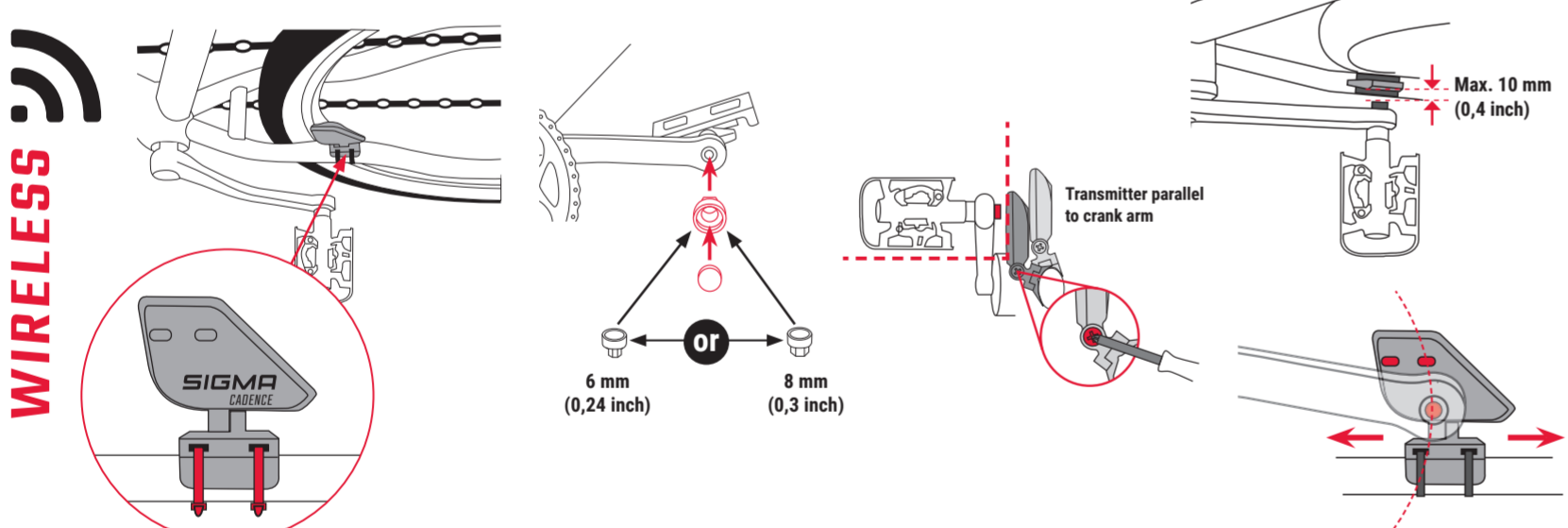
**INSTALLATION WIRELESS SPEED TRANSMITTER**

Emission frequency: 112 kHz, Max power < 11.37 dBm



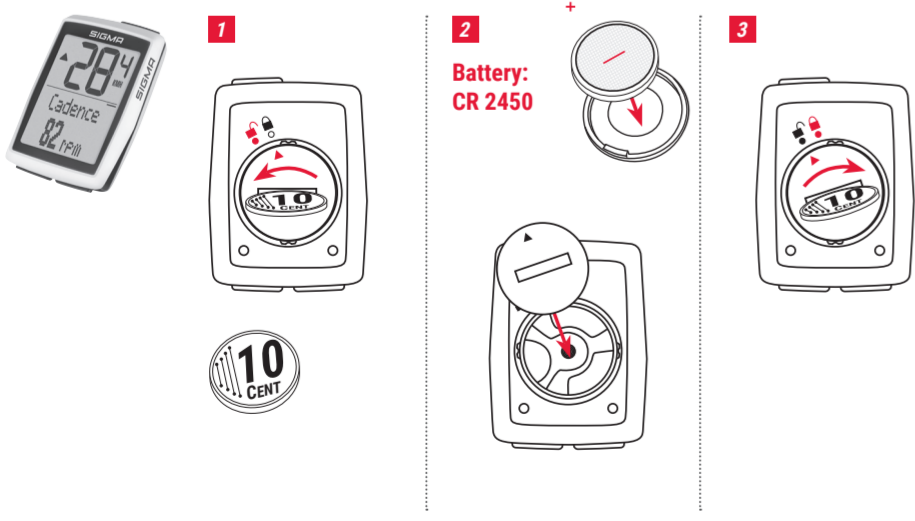
**INSTALLATION WIRELESS CADENCE TRANSMITTER**

Emission frequency: 112 kHz, Max power < 11.37 dBm

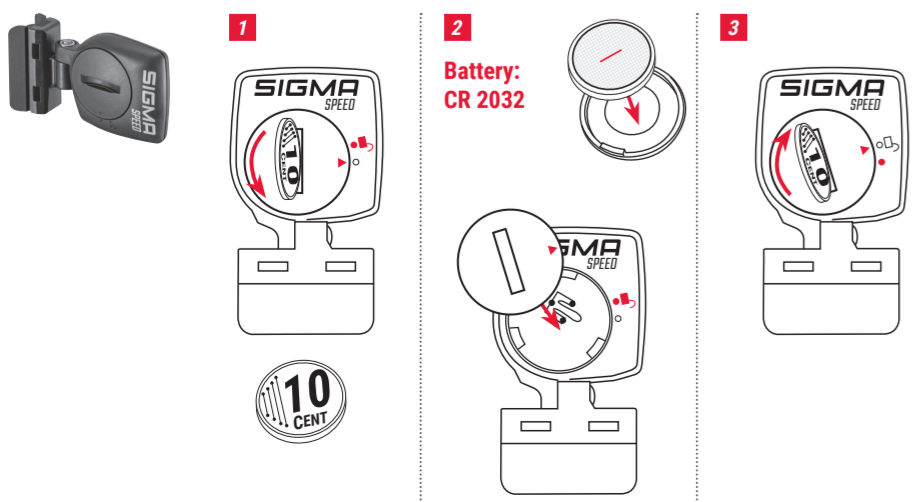


**BATTERY CHANGE**

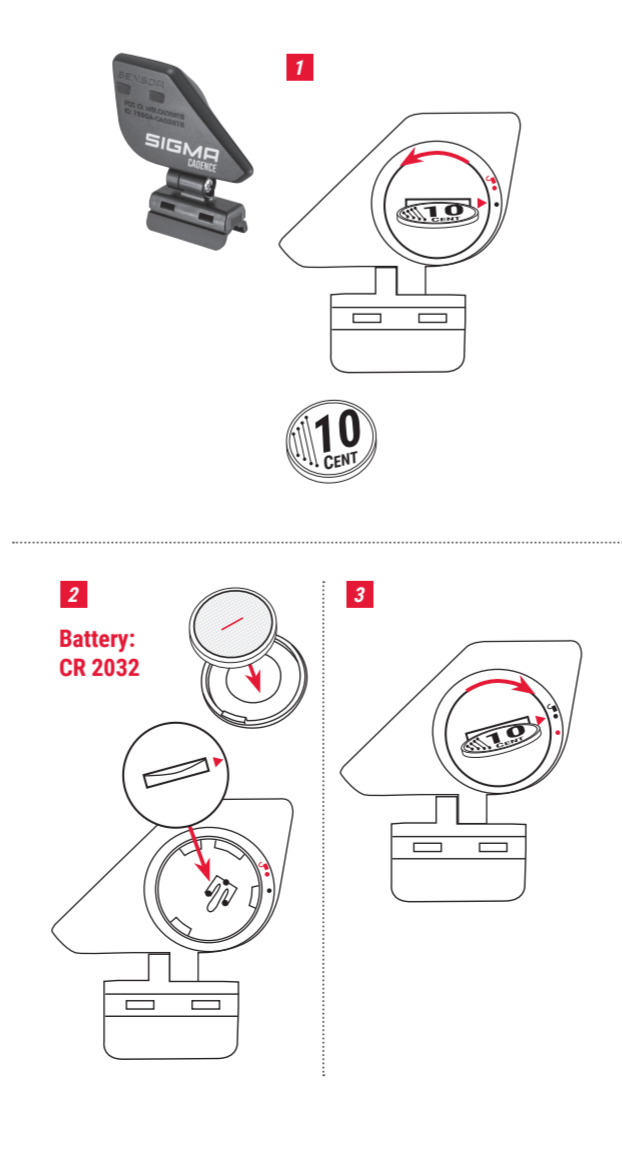
**BC 12.0 WR/WL**



**SPEED TRANSMITTER (BC 12.0 WL)**



**CADENCE TRANSMITTER (BC 12.0 WL)**



**INSTALLATION**

**CONTENTS**

<b>BC 12.0 wired</b> 1 + 2 + 3	<b>BC 12.0 wireless</b> 3 + 4 + 5 + 6	<b>BC 12.0 WL CAD</b> 3 + 4 + 5 + 6 + 7 + 8
1 Cable mount Item no. 00531	4 Speed transmitter Item no. 00541	7 Cadence transmitter Item no. 00542
2 Magnet Item no. 00537	5 Mount Item no. 00535	8 Cadence magnet Item no. 00539
3 Cable ties	6 Power Magnet Item no. 00538	

**TECHNICAL DATA**

<b>Computer WIRED:</b> - Battery type: CR 2450, 3V - Battery life: 3 to 4 years (When used for 1 hour per day)	<b>Computer WIRELESS:</b> - Battery type: CR 2450, 3V - Battery life: 2 years (When used for 1 hour per day)
<b>Computer KABELT:</b> - Batterytype: CR 2450, 3V - Batterilevetid: 3 til 4 år (Ved brug 1 time dagligt)	<b>Computer TRÅDLÖS:</b> - Batterytype: CR 2450, 3V - Batterilevetid: 2 år (Ved brug 1 time dagligt)
<b>Computer КАБЕЛ:</b> - Тип батерия: CR 2450, 3 V - Паристон кестокік: 3-4 vuotta (käytettynä 1 tunti päivässä)	<b>Computer TRÄDLÖS:</b> - Pariston tyyppi: CR 2450, 3 V - Pariston kestoikä: 2 vuotta (käytettynä 1 tunti päivässä)
<b>Dator TRÄDBUNDEN:</b> - Batterytype: CR 2450, 3V - Batteritid: 3 till 4 år (vid användning 1 timme per dag)	<b>Dator TRÄDLÖS:</b> - Batterytype: CR 2450, 3V - Batteritid: 2 år (vid användning 1 timme per dag)
<b>Компютър ПОДКЛЮЧЕН:</b> - Тип источника питания: CR 2450, 3В - Срок службы элемента питания: 3 - 4 года (Если используется в течение 1 часа в день)	<b>Компютър БЕСПРОВОДНОЕ СОЕДИНЕНИЕ:</b> - Тип источника питания: CR 2450, 3В - Срок службы элемента питания: 2 года (Если используется в течение 1 часа в день)
<b>VEZETÉKES számítógép:</b> - Elem típusa: CR 2450, 3V - Elem élettartama: 3-4 év (Napi 1 óráshasználat esetén)	<b>VEZETÉK NÉLKÜLI számítógép:</b> - Elem típusa: CR 2450, 3V - Elem élettartama: 2 év (Napi 1 óráshasználat esetén)
<b>Километре Саати КАБЛОЛУ:</b> - Pili türü: CR 2450, 3V - Pili ömrü: 3 - 4 yıl (Günde 1 saat kullanıldığında)	<b>Kilometre Saati KABLOSUZ:</b> - Pili türü: CR 2450, 3V - Pili ömrü: 2 yıl (Günde 1 saat kullanıldığında)
<b>Calculator CABLAT:</b> - Tipul de baterie: CR 2450, 3V - Durata de viață a bateriei: între 3 și 4 ani (în cazul utilizării timp de 1 oră pe zi)	<b>Calculator WIRELESS:</b> - Tipul de baterie: CR 2450, 3V - Durata de viață a bateriei: 2 ani (în cazul utilizării timp de 1 oră pe zi)
<b>Компютър с КАБЕЛНА връзка:</b> - Тип батерия: CR 2450, 3 V - Живот на батерията: 3 до 4 години (Ако се използва по един час на ден)	<b>Компютър с БЕЗЖИЧНА връзка:</b> - Тип батерия: CR 2450, 3 V - Живот на батерията: 2 години (Ако се използва по един час на ден)
<b>Počítač KÁBLOVÝ:</b> - Typ batérie: CR 2450, 3 V - Životnosť batérie: 3 až 4 roky (ak sa používa 1 hodinu denne)	<b>Počítač NIE JE KÁBLOVÝ:</b> - Typ batérie: CR 2450, 3 V - Životnosť batérie: 2 roky (ak sa používa 1 hodinu denne)
<b>Раčуналник је ПОВЕЗАН:</b> - тип батерије: CR 2450, 3 V - живљенска доба батерије: 3 до 4 лета (Ее јо употребљате ено уро на дан)	<b>Раčуналник ни ПОВЕЗАН:</b> - тип батерије: CR 2450, 3 V - живљенска доба батерије: 2 лети (Ее јо употребљате ено уро на дан)

**LEGAL STATEMENTS**

**FEDERAL COMMUNICATION COMMISSION INTERFERENCE STATEMENT**

Caution: If any changes or modifications not expressly approved by the party responsible for compliance could void the user's authority to operate the equipment.

This device complies with Part 15 of the FCC Rules. Operation is subject to the following two conditions:  
(1) This device may not cause harmful interference, and  
(2) This device must accept any interference received, including interference that may cause undesired operation.

The grantee is not responsible for any changes or modifications not expressly approved by the party responsible for compliance. Such modifications could void the user's authority to operate the equipment.

The RF Exposure Compliance distance is 5 millimeters.

NOTE: This equipment has been tested and found to comply with the limits for a Class B digital device, pursuant to part 15 of the FCC Rules. These limits are designed to provide reasonable protection against harmful interference in a residential installation. This equipment generates, uses and can radiate radio frequency energy and, if not installed and used in accordance with the instructions, may cause harmful interference to radio communications. However, there is no guarantee that interference will not occur in a particular installation. If this equipment does cause harmful interference to radio or television reception, which can be determined by turning the equipment off and on, the user is encouraged to try to correct the interference by one or more of the following measures:

- Reorient or relocate the receiving antenna.
- Increase the separation between the equipment and receiver.
- Connect the equipment into an outlet on a circuit different from that to which the receiver is connected.
- Consult the dealer or an experienced radio/TV technician for help.

FCC ID STS-S-3: MSLSPD3ST5  
FCC ID STS-C-3: MSLCAD3ST5

**INDUSTRY CANADA STATEMENT**

This device complies with Innovation, Science and Economic Development Canada licence-exempt RSS standard(s). Operation is subject to the following two conditions:  
(1) this device may not cause interference, and  
(2) this device must accept any interference, including interference that may cause undesired operation of the device.

Le présent appareil est conforme aux CNR d'Innovation, Sciences et Développement économique Canada applicables aux appareils radio exempts de licence. L'exploitation est autorisée aux deux conditions suivantes:  
(1) il ne doit pas produire de brouillage et  
(2) l'utilisateur du dispositif doit être prêt à accepter tout brouillage radioélectrique reçu, même si ce brouillage est susceptible de compromettre le fonctionnement du dispositif.

The device meets the exemption from the routine evaluation limits in section 2.5 of RSS 102 and compliance with RSS-102 RF exposure, users can obtain Canadian information on RF exposure and compliance.

Le dispositif rencontre l'exemption des limites courantes d'évaluation dans la section 2.5 de RSS 102 et la conformité à l'exposition de RSS-102 rf, utilisateurs peut obtenir l'information canadienne sur l'exposition et la conformité de rf.

This transmitter must not be co-located or operating in conjunction with any other antenna or transmitter. This equipment should be installed and operated with a minimum distance of 5 millimeters between the radiator and your body.

Cet émetteur ne doit pas être Co-placé ou ne fonctionnant en même temps qu'aucune autre antenne ou émetteur. Cet équipement devrait être installé et actionné avec une distance minimum de 5 millimètres entre le radiateur et votre corps.

**UKCA STATEMENT**

**Wireless Model**  
We, SIGMA-ELEKTRO GmbH, declare that the equipment above has been tested in our facility and found compliance with the requirement limits of applicable standards, in accordance with the Radio Equipment Regulations 2017 and the Restriction of the Use of Certain Hazardous Substances in Electrical and Electronic Equipment Regulations 2012. The test record, data evaluation and Equipment Under Test (EUT) configurations represented herein are true and accurate under the standards herein specified.

**Wired Model**  
We, SIGMA-ELEKTRO GmbH, declare that the equipment above has been tested in our facility and found compliance with the requirement limits of applicable standards, in accordance with the Electromagnetic Compatibility Regulations 2016 and the Restriction of the Use of Certain Hazardous Substances in Electrical and Electronic Equipment Regulations 2012. The test record, data evaluation and Equipment Under Test (EUT) configurations represented herein are true and accurate under the standards herein specified.

**EU-DECLARATION OF CONFORMITY**

We, SIGMA-ELEKTRO GmbH, Dr.-Julius-Leber-Str. 15, D-67433 Neustadt/Weinstraße, declare under our responsibility that the product BC 12.0 WR are compliant with the essential requirements of the EMC Directive 2014/53/EU and the RoHS Directive 2011/65/EU. The declaration of conformity can be found at: ce.sigmasport.com/bc120wr

We, SIGMA-ELEKTRO GmbH, Dr.-Julius-Leber-Str. 15, D-67433 Neustadt/Weinstraße, declare under our responsibility that the product BC 12.0 WL and the transmitters STS-S-3 and STS-C-3 are compliant with the essential requirements and other relevant requirements of the RED Directive 2014/53/EU and the RoHS Directive 2011/65/EU. The declaration of conformity can be found at: ce.sigmasport.com/bc120wl

**EU-KONFORMITÄTSERKLÄRUNG**

Wir, SIGMA-ELEKTRO GmbH, Dr.-Julius-Leber-Str. 15, D-67433 Neustadt/Weinstraße, erklären, dass der Fahrradcomputer mit Funkübertragung BC 12.0 WL und die Sender STS-S-3 und STS-C-3 bei bestimmungsgemäßer Verwendung den grundlegenden Anforderungen gemäß der EMC Directive 2014/53/EU und der RoHS Directive 2011/65/EU entsprechen. Sie finden die Konformitätserklärung unter folgendem Link: ce.sigmasport.com/bc120wr

Wir, SIGMA-ELEKTRO GmbH, Dr. Julius Leber Str. 15, D-67433 Neustadt/Weinstraße, erklären, dass der Fahrradcomputer mit Funkübertragung BC 12.0 WL und die Sender STS-S-3 und STS-C-3 bei bestimmungsgemäßer Verwendung den grundlegenden Anforderungen gemäß der EMC Directive 2014/53/EU und der RoHS Directive 2011/65/EU entsprechen. Sie finden die Konformitätserklärung unter folgendem Link: ce.sigmasport.com/bc120wl

**CE INFORMATION**

- EN** You can find the CE declaration at: ce.sigmasport.com/bc120wr
- DK** CE erklæringen kan findes på: ce.sigmasport.com/bc120wr
- FI** Löydät CE-ilmoituksen täältä: ce.sigmasport.com/bc120wr
- NO** Du kan finne CE-erklæringen på: ce.sigmasport.com/bc120wr
- SE** Du hittar CE-deklarationen på: ce.sigmasport.com/bc120wr
- RU** Текст декларации CE см. на сайте: ce.sigmasport.com/bc120wr
- HU** A CE-nyilatkozatot itt találja: ce.sigmasport.com/bc120wr
- SK** CE bevyahyňa s'uraduje tu: ce.sigmasport.com/bc120wr
- PL** Wyhlásenie CE nájdeťte na: ce.sigmasport.com/bc120wr
- SI** Izjavo CE najdete na: ce.sigmasport.com/bc120wr

**SIGMA-ELEKTRO GmbH**  
Dr.-Julius-Leber-Straße 15  
67433 Neustadt/Weinstraße, Germany  
kundenservice@sigmasport.com



